

- o Flat Cable Connectors SEK
- o *har-mik®*
- o D-Sub
- o InduCom

Applications



Product details

09 33 010 2601

Male insert, Han 10 E

Series	Han E®, Han® ES/ESS, Han E® AV, Han® ES AV
Number of contacts	10 poles + PE
Size of hood/housing	Han® 10 B
Termination	Screw term. with wire prot.
Insert material	Standard material
Contacts	Inclusive
Electrical data	16 A 500 V 6 kV 3
RoHS compliant	Yes

Available Downloads

Title	Format	
Data sheet	PDF	↕ download
CAD data 2D	DXF	↕ download
CAD data 3D	IGES	↕ download
CAD data 3D	STEP	↕ download

Inquiry

5

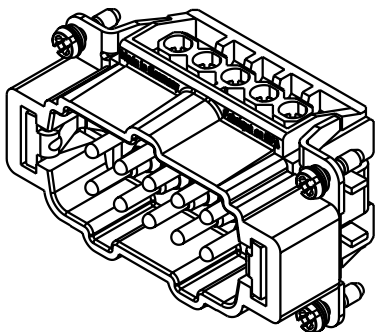
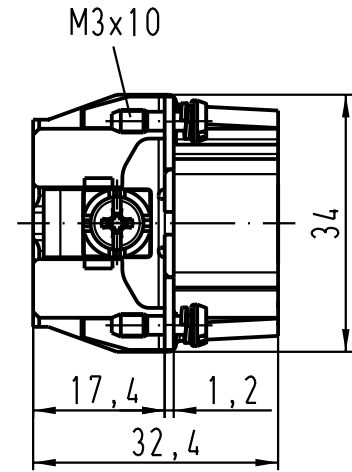
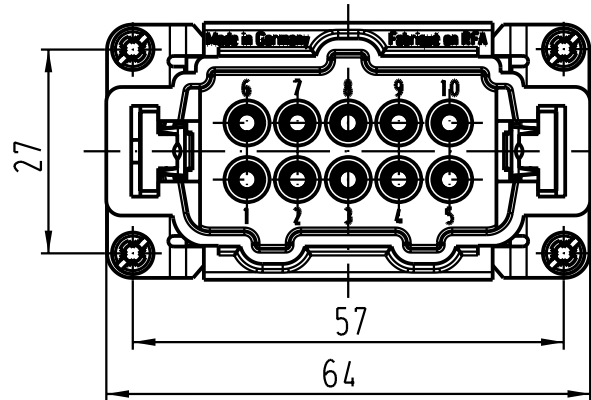
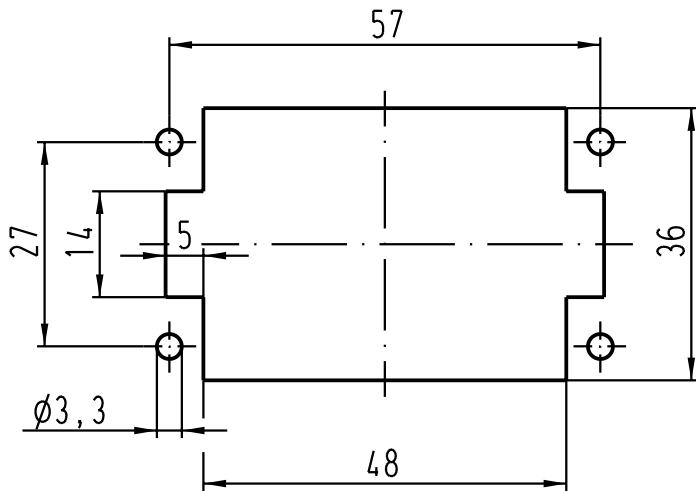
4

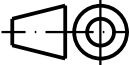

3

2

1

Montageausschnitt/
panel cut out



 All Dimensions in mm Original Size DIN A 4			Techn. Character.			Nicht tolerierte Masse/ Free size tolerances			
				Dat.	Name	Massstab/Scale			
				Detail.	09.04.98	KR	1:1		
				Insp.		Rue.			
410526	18.07.03	Ho		Stand.					
28552	11.10.00	ROH.	HARTING Electric GmbH & Co. KG				TB 09 33 010 2601		
26781			D-32339 Espelkamp						
Mod.	Dat.	Name				Sub.			Blatt/ page

Han 10E-M-s
Stifteinsatz / male insert

TB 09 33 010 2601

Blatt/ page